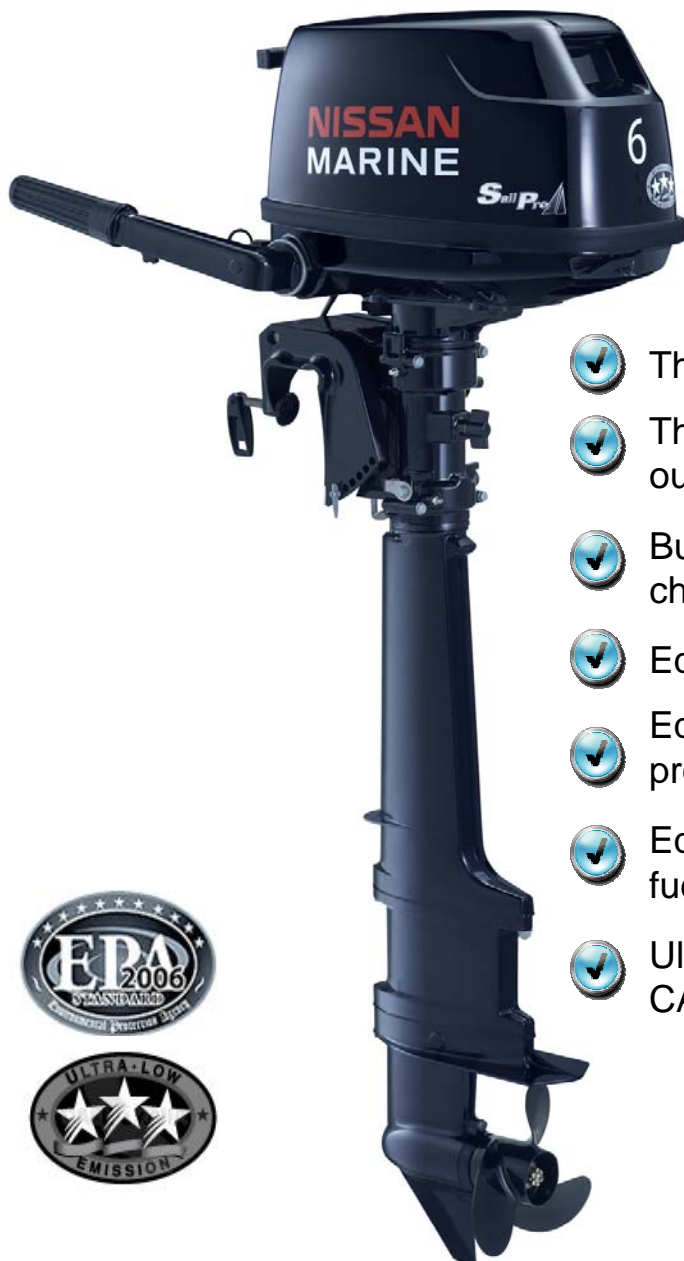


New Model Information

New for 2009!



NSF 6B4



- ✓ The Perfect choice for sailboats.
- ✓ The World's smallest 4-stroke 25" shaft outboard motor only by Nissan Marine.
- ✓ Built-in 5 amp/12V charging system to charge batteries or electrical devices.
- ✓ Equipped with a charging cable.
- ✓ Equipped with the high thrust sail drive propeller.
- ✓ Equipped with a 3.1 US gallon/12 Litter fuel tank.
- ✓ Ultra-low emissions, exceeds EPA and CARB emission standards.

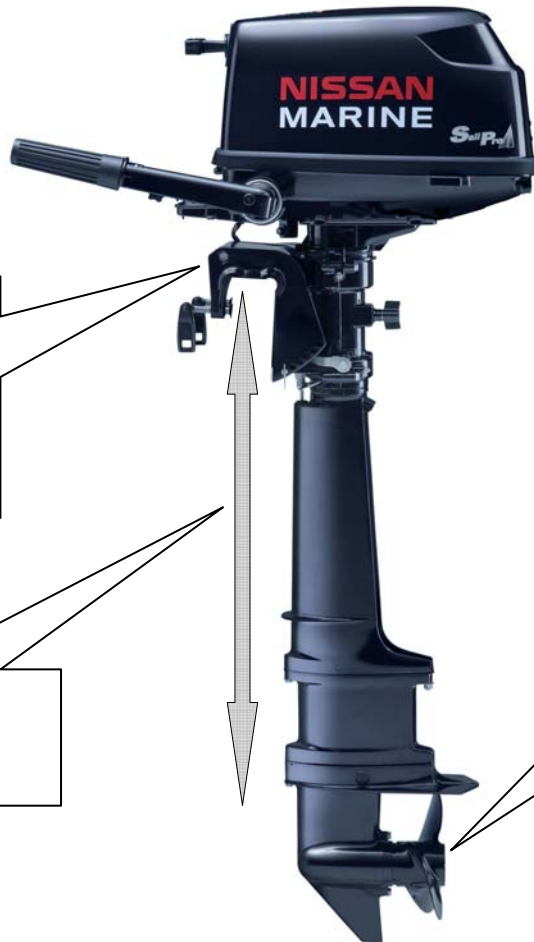


Features

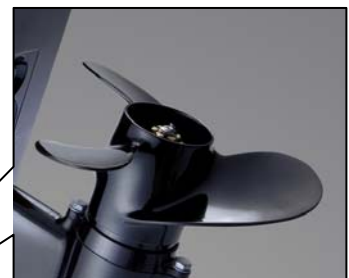


Equipped with a charging cable (5M)

For most sailboats requiring a 25" shaft outboard motor



Built-in 5 amp/12V charging system



Equipped with the high thrust sail drive propeller

Specifications

Model / NSF6B4 SAIL PRO	
Engine (No. of Cylinder)	1
Output	6 hp (4.4 kw)
Displacement	123 cc (7.5 cu.in.)
Bore x Stroke	59 x 45 mm (2.32 x 1.77 in)
Starting	Manual
Control Type	Tiller Handle
Gear Shift	Forward - Neutral - Reverse
Gear Ratio	2.15:1
Propeller	6" (High Thrust)
Transom Height	25"
Fuel	Unleaded Gasoline (87 Octane)
Oil Type	SAE 10W-30/40 (SF,SG,SH,SJ,SL,SM)
Fuel Tank	12 Lit (3 US gal) Separate Tank
Weight*	27 kg (59 lbs)
Alternator Output	Standard: 12V 60W, 5A
Max. RPM Range	5,000-6,000